

# QuickPanel™

## HMI-CCT-402

GFK-2257  
August 2003

### Backlight Replacement Guide

Be sure to read the following backlight replacement warnings before replacing your QuickPanel's backlight.

This replacement backlight package is intended for:

<i>QuickPanel Model Name</i>	<i>Backlight Model</i>
QPGCxDE0000	HMI-CCT-402

If this backlight is not appropriate for your QuickPanel or does not function correctly, please contact your local authorized QuickPanel representative.

#### Warning

- Be sure the QuickPanel's power cord has been disconnected before changing the backlight. When the QuickPanel's power cord is connected and the QuickPanel is ON, high voltage runs through the wires in the backlight area – do not touch them!
- When the QuickPanel 's power cord has just been disconnected, the backlight area is still very hot! Be sure to wear gloves to prevent being burned.
- The backlight is very fragile. Do not touch the glass tube directly or try to remove its power cord. If the glass tube breaks you may be injured.

#### Caution

- Change the entire backlight unit, including both the tube and holder.
- Do not allow water, oil or fingerprints to remain on the tube, since they can reduce the backlight's life.

### Package contents

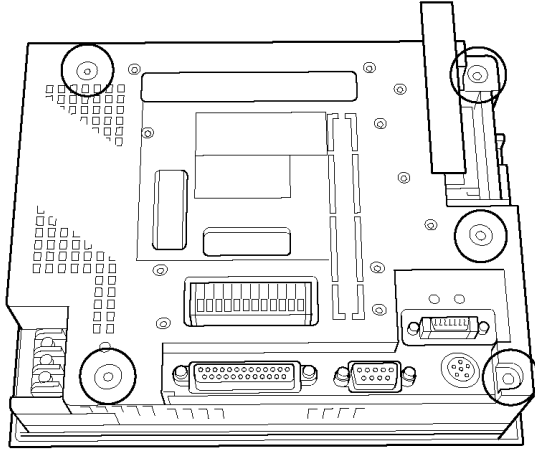
One replacement backlight (model HMI-CCT-402)

### Items required when changing the QuickPanel's backlight

- Phillips screwdriver (no. 2) for the QuickPanel 's cover attachment screws
- One pair of clean (preferably new) cotton gloves

GFK-2257

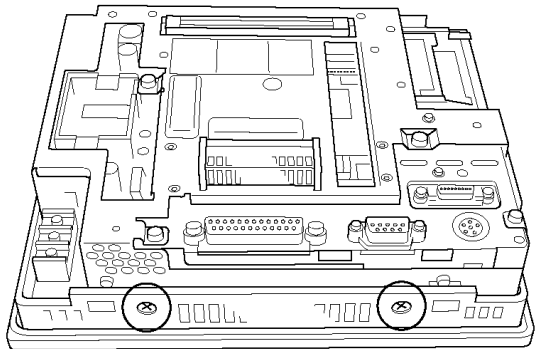
## Backlight Replacement



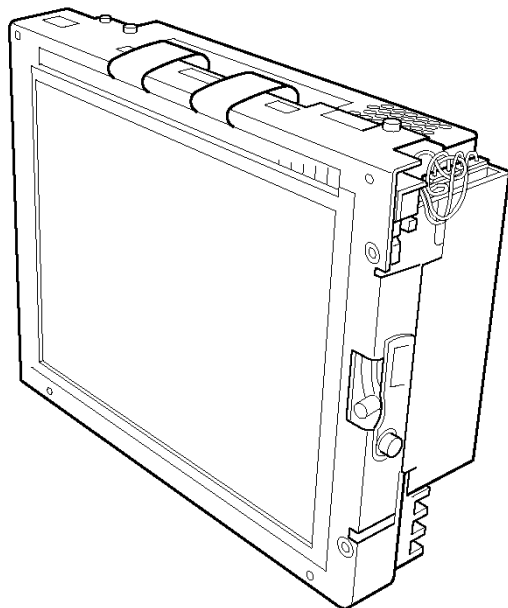
1. Turn OFF the QuickPanel's power supply. Open the Compact Flash card's cover and unscrew the unit's five rear cover attachment screws.

### Caution

Since the attachment screws are small, be sure not to lose them or allow them to fall inside the QuickPanel's case.



2. Remove the QuickPanel's rear cover.
3. Remove the QuickPanel's four top and bottom face attachment screws (The figure shows bottom face screw locations. Top face locations are the same).



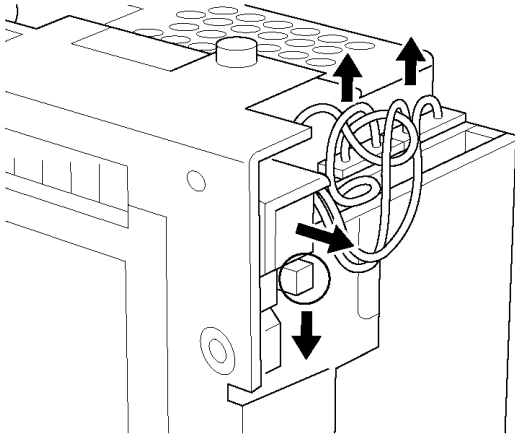
4. Separate the QuickPanel's front cover and the main unit.

### Caution

When the QuickPanel's power has just been turned OFF, the circuit board chassis is still very hot! To prevent being burned, wear gloves, or allow the chassis to cool completely.

### Caution

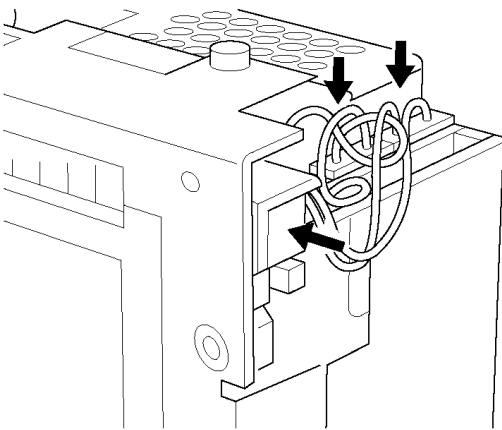
When the QuickPanel's front panel is removed, the glass LCD is exposed. Place the main unit with the LCD on a smooth, clean surface to avoid damage. Handle the main unit carefully when holding it near the edges of the LCD.



5. Disconnect the backlight's two power connectors.
6. Push the backlight attachment clip in the direction shown, and pull the backlight holder slowly out of the backlight unit.

**Caution**

**The attachment clip can very easily be bent and broken. Be careful not to bend the clip in the wrong direction.**



7. Place the new backlight holder such that the tubes are oriented toward the bottom of the unit and slide the holder into place in the main unit until it clicks into place. Reattach the backlight unit's power connectors.
8. Remove any dust that may have accumulated on the inside of the front panel before inserting the main unit. Remove dust by wiping with an antistatic, lint free cloth, or by blowing with compressed air. Insert the main unit into the front panel and attach using the bottom and top face attachment screws removed in step 3.

9. Attach the rear cover to the main unit using the five rear cover attachment screws removed in step 1.

**Caution**

- **Be sure not to pinch or cut any of the QuickPanel unit's internal wiring when closing the case.**
- **If any of the attachment screws becomes misplaced, check to be sure that they have not fallen inside the QuickPanel. If a screw has fallen inside the QuickPanel, do not connect the unit's power cord until it has been removed.**

After changing the backlight, be sure to check that your QuickPanel display operates correctly. If a problem occurs, contact your local QuickPanel distributor.