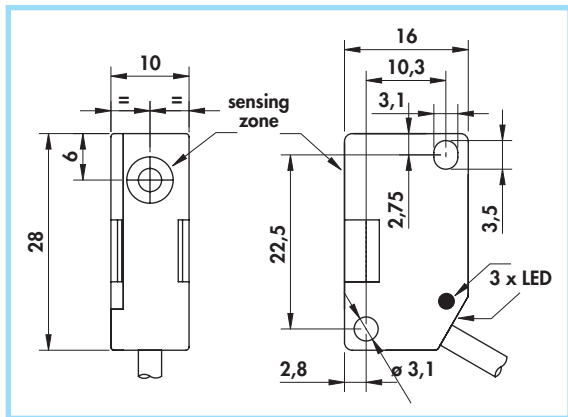


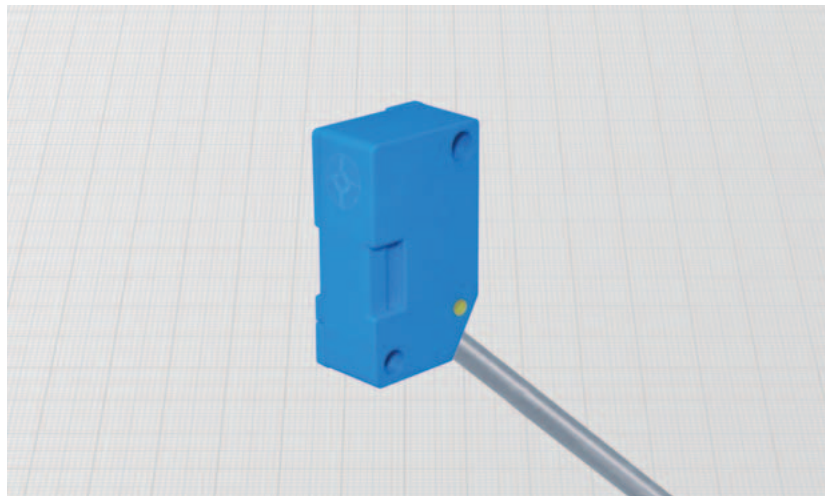
RECTANGULAR INDUCTIVE SENSORS

- **Type Z**
- **Amplified in d.c. 3 wires**
- **Cable output**



Materials:


- Cable: 2 m PVC CEI 20 - 22 II; 90°C; 300 V; O.R.
- Housing: plastic

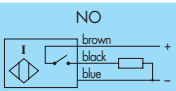
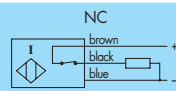


General Features:

This sensor has the same shape and fixing holes as V3 standard microswitches. The particular cable position allows the mounting on every side of the housing. The output status is indicated by LED visible from 3 sides.

Technical data:

- Supply voltage (U_B): 7 ÷ 30 Vdc
- Max ripple: 10%
- No-load supply current (I_0): ≤ 10 mA
- Voltage drop (U_d): ≤ 1,5 V
- Temperature range: - 25° ÷ + 75°C
- Max thermal drift of sensing distance S_s : ± 10%
- Repeat accuracy (R): 2%
- Switching hysteresis (H): 10%
- Degree of protection: IP67
- Switch status indicator: yellow LED
- Cable conductor cross section: 0,15 mm²
- Protected against short-circuit and overload
- Protected against any wrong connection
- Suppression of initial false impulse
- Electromagnetic compatibility (EMC) according to EN60947-5-2 
- Shock and vibration resistance according to EN60068-2-27 EN60068-2-6

Mounting	Cable diameter	Sensing zone diameter	Rated operational current (I_e)	Max switching frequency (f)	Nominal sensing distance (S_n) ± 10%	ORDERING REFERENCES	
						PNP (positive switching)	
Flush mounting Non flush mounting	mm	mm	mA	KHz	mm		
	• 3	9	200	2	2	DCAZ/4609KS	DCAZ/4619KS
• 3	9	200	1,5	4		DCAZ/5609KS	DCAZ/5619KS
						NPN (negative switching)	
						Use the above mentioned part number changing the last number 9 with 8 (ie. DCAZ/4608KS)	
						