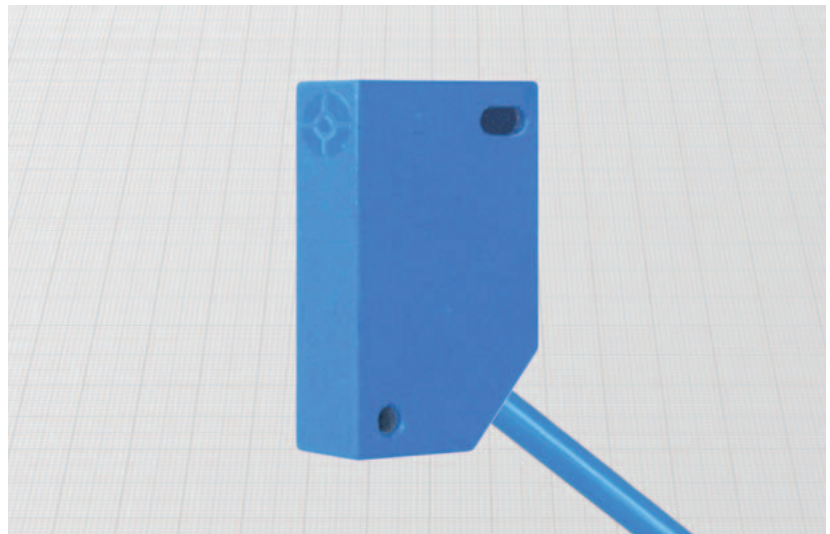
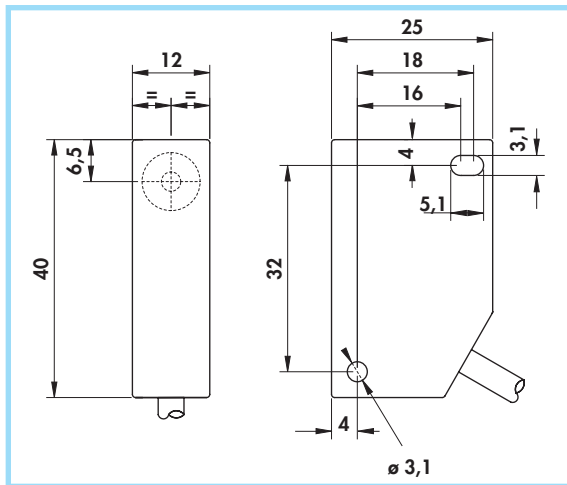
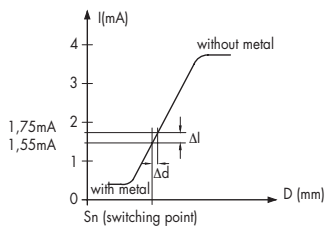


## RECTANGULAR INDUCTIVE SENSORS

- **NAMUR SERIES - Type T**
- **Non-amplified in d.c. 2 wires**
- **Cable output**




### Typical curve




### Materials:

- Cable: 2 m PVC CEI 20 - 22 II; 90°C; 300 V; O.R.
- Housing: plastic

### Technical data:

- Working voltage: 5 ÷ 30 Vdc
- Supply voltage according to NAMUR: 7,7 ÷ 9 Vdc
- Max ripple: 10%
- Consumption at 8,2 V with Rx = 1000 Ω
  - with metal: ≤ 1 mA
  - without metal: ≥ 3 mA
- Temperature range: - 25° ÷ + 70°C
- Max thermal drift of sensing distance S<sub>s</sub>: ± 10%
- Repeat accuracy (R): 2%
- Degree of protection: IP67
- Cable conductor cross section: 0,35 mm<sup>2</sup>
- According to EN60947-5-6
- Electromagnetic compatibility (EMC) according to EN60947-5-2 
- Shock and vibration resistance according to EN60068-2-27 EN60068-2-6
- For certified ATEX version see ATEX Catalogue

Flush mounting Non flush mounting	Cable diameter	Sensing zone diameter	Max switching frequency (f)	Nominal sensing distance (S <sub>n</sub> ) ± 10%	ORDERING REFERENCES 
	mm	mm	KHz	mm	
•	4	9	1	2	<b>DCT/4700</b>
•	4	9	0,8	4	<b>DCT/5700</b>