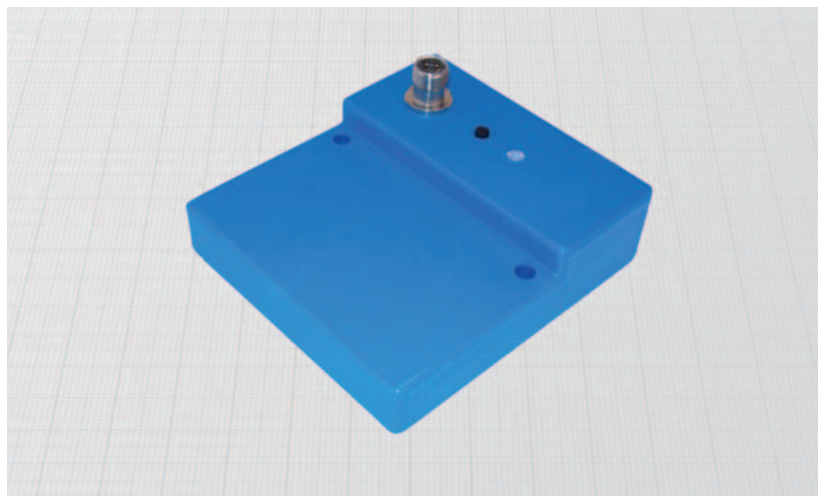
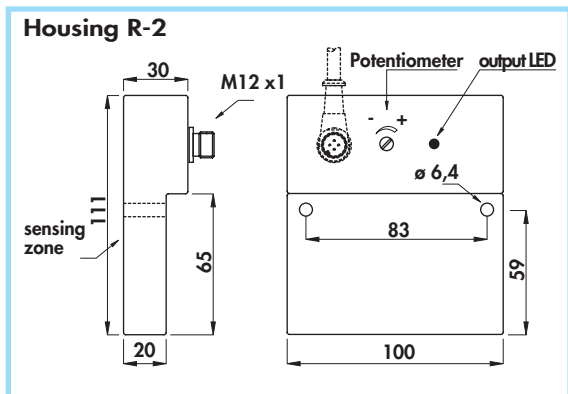
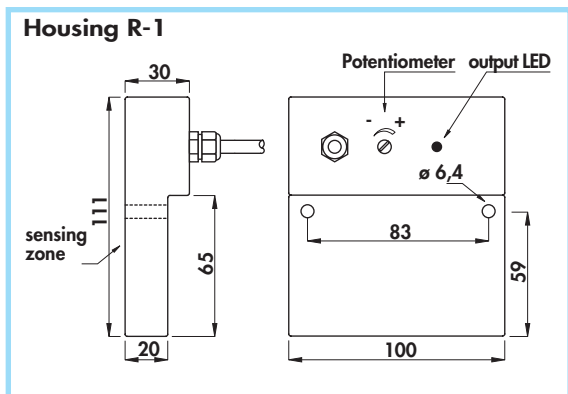


RECTANGULAR INDUCTIVE SENSORS

- **Type R - Adjustable sensing distance**
- **Amplified in a.c. 2 wires**
- Cable and connector output M12 x 1



General Features:

These sensors are suitable for non flush mounting and have the adjustable sensing distance turning a multiturn potentiometer.

Technical data:

- Supply voltage (U_B): 20 ÷ 240 Vac
- Electrical system frequency: 40 ÷ 60 Hz
- Off-state current (I_o): ≤ 1,5 mA at 110 Vac
- Minimum operational current (I_m): 5 mA
- Voltage drop (U_d): ≤ 5 V
- Temperature range: - 20° ÷ + 70°C
- Max thermal drift of sensing distance S_T : ± 10%
- Repeat accuracy (R): 2%
- Switching hysteresis (H): 10%
- Degree of protection: IP65
- Switch status indicator: yellow LED
- Cable conductor cross section (cable version): 0,75 mm²
- Suppression of initial false impulse
- Class 2 equipment according to IEC 536
- Shock and vibration according to EN60068-2-27 EN60068-2-6
- Electromagnetic compatibility (EMC) according to EN60947-5-2

Materials:

- Cable: 2 m PVC CEI 20 - 22 II; 90°C; 300 V; O.R.
- Housing: plastic
- Connector: nickel plated brass

Housing	Flush mounting Non flush mounting	Cable diameter	Female connector	Sensing zone diameter	Max switching frequency (f)	Rated operational current (I _e)	Distanza nom. di int. (S _n)	ORDERING REFERENCES	
								Cable output	
		mm	n°	mm	Hz	mA	mm		
R - 1	•	6	-	75	20	500	10 ÷ 55	ACR/5809S	ACR/5819S
		mm	n°	mm	Hz	mA	mm	4 PIN connector	
R - 2	•	-	15 - 16	75	20	500	10 ÷ 55	ACR/5109S	ACR/5119S
		mm	n°	mm	Hz	mA	mm	3 PIN connector according to EN60947-5-2	
R - 2	•	-	17 - 18	75	20	500	10 ÷ 55	ACR/5009S	ACR/5019S