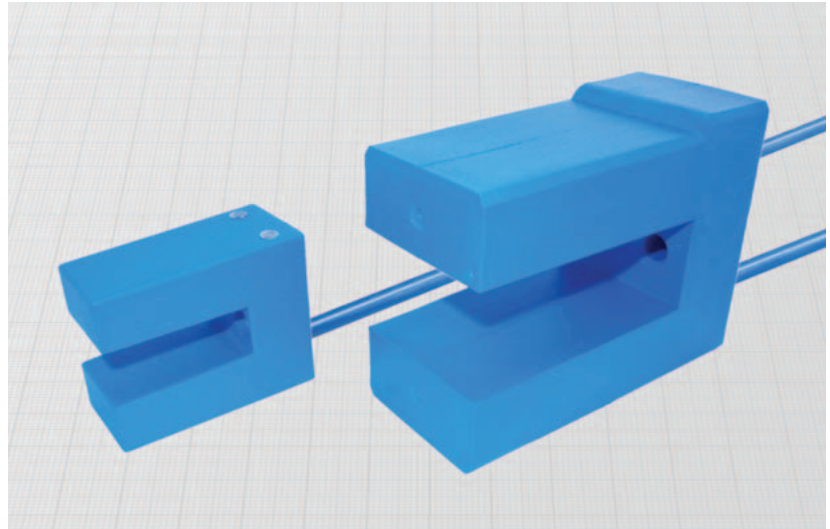
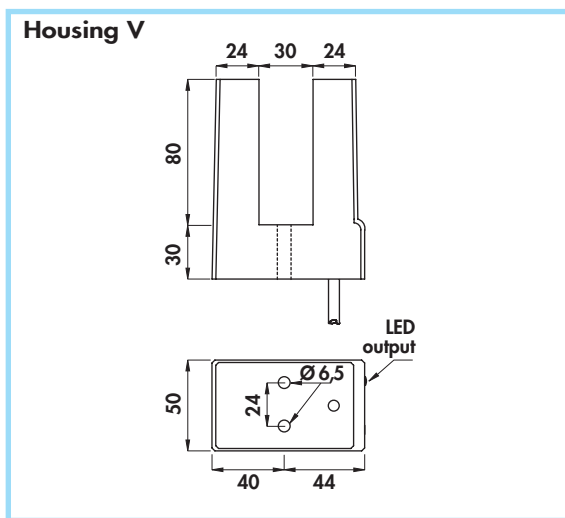
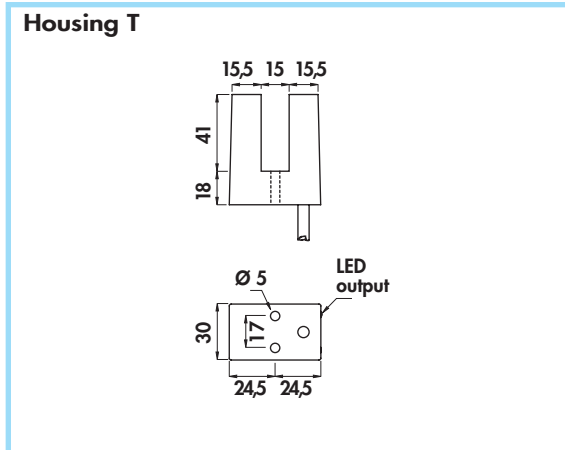


INDUCTIVE SLOT SENSORS

- Amplified in a.c. 2 wires
- Cable output



Materials:

- Cable: 2 m PVC CEI 20 - 22 II; 90°C; 300 V; O.R.
- Housing: plastic

Technical data:

- Supply voltage (U_B): 20 ÷ 240 Vac
- Electrical system frequency: 40 ÷ 60 Hz
- Off-state current (I_f): ≤ 1,5 mA at 110 Vac
- Minimum operational current (I_m): 5 mA
- Voltage drop (U_d): ≤ 5 V
- Temperature range: - 25° ÷ + 70°C
- Max thermal drift of sensing distance S_T : ± 10%
- Repeat accuracy (R): 2%
- Switching hysteresis (H): 10%
- Degree of protection: IP67
- Switch status indicator: yellow LED
- Cable conductor cross section: 0,75 mm²
- Suppression of initial false impulse
- Class 2 equipment according to IEC 536
- Shock and vibration according to EN60068-2-27 EN60068-2-6
- Electromagnetic compatibility (EMC) according to EN60947-5-2

Housing	Cable diameter	Gap width	Rated operational current (I_e)	Max switching frequency (f)	Minimum penetration	ORDERING REFERENCES	
						NO	NC
T	6	15	500	15	16	ACF15/4609S	ACF15/4619S
V	6	30	500	15	30	ACF30/4609S	ACF30/4619S