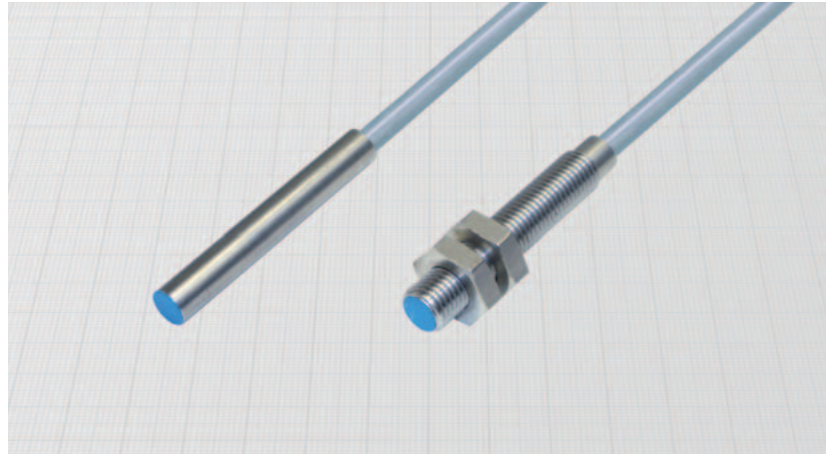
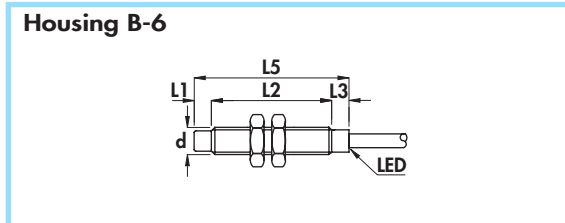
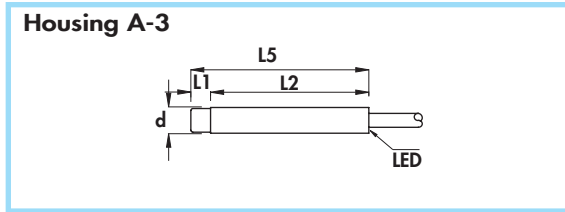


CYLINDRICAL INDUCTIVE ATEX SENSORS IN METAL HOUSING

- **AMPLIFIED IN d.c. 3 and 4 wires** - diameters 6,5 - 8 mm 
- **ATEX certified II 3GD for zone 2;22**
- Cable output



Diameter	M8 x 1	
Nut	Size	SW13
	Thickness mm	4
Max tightening torque Nm	10	


Materials:

- Cable: 2 m PVC; 90°C; 300 V; O.R.
- Housing: stainless steel
- Sensing face: plastic

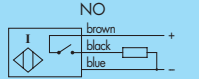
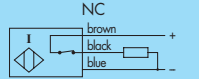
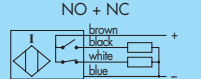
Technical data:

- Supply voltage (U_B): 7 ÷ 30 Vdc
- Max ripple: 10%
- No-load supply current (I_0): ≤ 10 mA
- Voltage drop (U_d): < 1,5 V
- Temperature range: - 20° ÷ + 60°C
- Max thermal drift of sensing distance S_s : ± 10%
- Repeat accuracy (R): 2%
- Switching hysteresis (H): 10%
- Degree of protection: IP67
- Switch status indicator: yellow LED
- Cable conductor cross section: 0,15 mm² on 4 wires versions
0,22 mm² on 3 wires versions

- Marking:  II 3D IP67 T80°C X
II 3G EEx nA IIC T6 X

- Protected against short-circuit and overload
- Protected against any wrong connection
- Suppression of initial false impulse
- Electromagnetic compatibility (EMC) according to EN60947-5-2 
- According to: EN50014/EN60079-15/EN50281-1-1
- Shock and vibration resistance according to EN60068-2-27 EN60068-2-6

Use in hazardous area according to instruction manuals

Housing	Flush mounting Non flush mounting	L1	L2	L3	L5	Cable diameter	Body diameter (d)	Nominal sensing distance (S_n) ±10%	Max switching frequency (f)	Rated operational current (I_e)	ORDERING REFERENCES		
											mm	mm	mm
											PNP (positive switching)		
													
A - 3	•	-	45	-	45	3,5	6,5	1,5	4	100	DCA6,5/4609LKS3GD	DCA6,5/4619LKS3GD	DCA6,5/4629LKS3GD
A - 3	•	5	40	-	45	3,5	6,5	2,5	3	100	DCA6,5/5609LKS3GD	DCA6,5/5619LKS3GD	DCA6,5/5629LKS3GD
A - 3	•	-	45	-	45	3,5	8	1,5	4	100	DCA8/4609LKS3GD	DCA8/4619LKS3GD	DCA8/4629LKS3GD
B - 6	•	-	40	5	45	3,5	M8 x 1	1,5	4	100	DCA8/4609KS3GD	DCA8/4619KS3GD	DCA8/4629KS3GD
A - 3	•	5	40	-	45	3,5	8	2,5	3	100	DCA8/5609LKS3GD	DCA8/5619LKS3GD	DCA8/5629LKS3GD
B - 6	•	5	35	5	45	3,5	M8 x 1	2,5	3	100	DCA8/5609KS3GD	DCA8/5619KS3GD	DCA8/5629KS3GD
											NPN (negative switching)		
											Use the above mentioned part number changing the last number 9 with 8 (ie DCA6,5/4608KS3GD)		
											