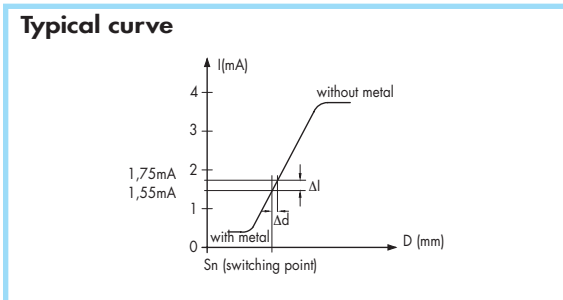
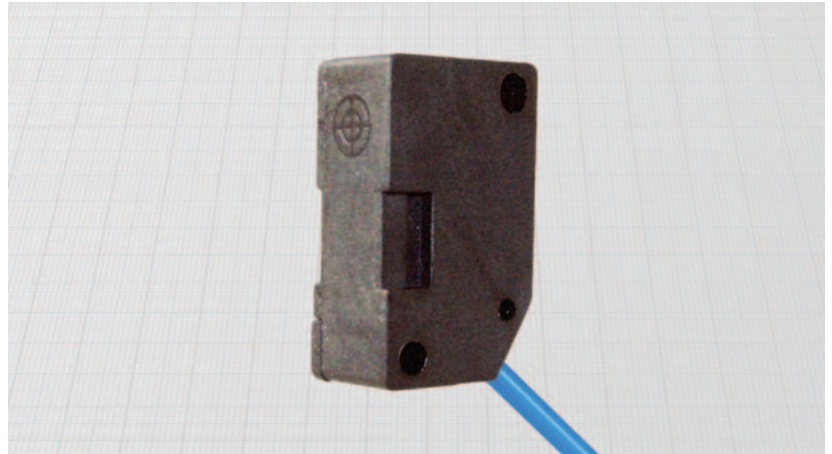
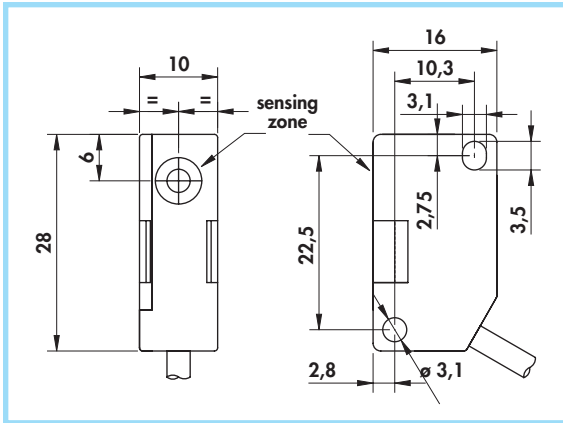




NAMUR SERIES - Type Z •
ATEX certified II 1GD for zone 0;20 •
 Cable output •



Materials:

- Cable: 2 m PVC CEI 20 - 22 II; 90°C; 300 V; O.R.
- Housing: plastic

General Features:

This sensor has the same shape and holes position as a type V3 microswitch. The cable position allows the mounting on every side of the housing. The special material of the housing allows the use without additional protections against electrostatic charges.

Technical data:

- Supply voltage according to NAMUR: 7,7 ÷ 9 Vdc
- Max ripple: 10%
- Consumption at 8,2 V with $R_x = 1000 \Omega$
 - with metal: $\leq 1 \text{ mA}$
 - without metal: $\geq 3 \text{ mA}$
- Temperature range: $-20^\circ \div +60^\circ \text{C}$
- Max thermal drift of sensing distance S_n : $\pm 10\%$
- Repeat accuracy (R): 2%
- Degree of protection according to EN60529: IP67
- Cable conductor cross section: 0,15 mm²
- Marking: Ex II 1D IP67 T80°C II 1G EEx ia IIC T6

- Certified CESI 03 ATEX 080
- Electromagnetic compatibility (EMC) according to EN60947-5-2 CE
- According to: EN60947-5-6/EN50014/EN50020/EN50281-1-1/EN50284
- Shock and vibration resistance according to EN60068-2-27 EN60068-2-6

Safety parameters:

- V_i max: 13,5 V
- I_i max: 60 mA
- C_i max: 100 nF
- L_i max: 100 μH
- P_i max: 200 mW

Use in hazardous area according to instruction manuals

| Flush mounting Non flush mounting | Cable diameter | Sensing zone diameter | Nominal sensing distance (S_n) $\pm 10\%$ | Max switching frequency (f) | ORDERING REFERENCES |
|--------------------------------------|----------------|-----------------------|---|-----------------------------|-----------------------------|
| | mm | mm | mm | KHz | |
| • | 3 | 9 | 2 | 1 | DCZ/4600A |
| • | 3 | 9 | 4 | 0,8 | DCZ/5600A |