



Capacitive Sensors S26 Series 90 - AC / DC

- Type of construction M 30 x 1.5
- Housing material: PTFE
- With flange connector M 12 x 1



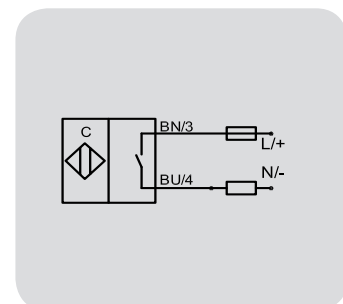
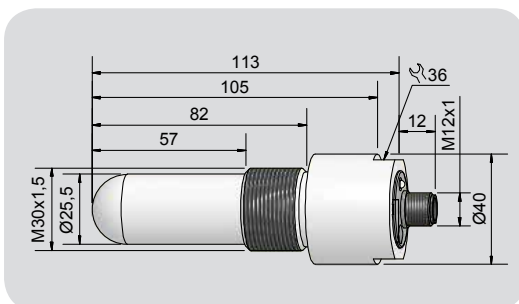
| | |
|---|--------------------------------------|
| Technical data | Non-flush mountable |
| Level sensor, in contact with the product | Medium dependent adjustable |
| Operating distance min. / max. adjustable | 0...15 mm |
| Electrical version | 2-pin AC / DC |
| Output function | Normally open |
| Type | KAS-90-26/113-S-M30-PTFE-Y1-1 |
| Art.-No. | KA 1515 |
| Operating voltage (U_B) | 20...250 V AC / DC |
| Voltage drop max. (U_d) | ≤ 6.0 V |
| Load current min. | 5 mA |
| Operating current (I_e) | 5...250 mA |
| No-load current (I_o) | Typ. 2.5 mA |
| Frequency of operating cycles max. | 25 Hz |
| Permitted ambient temperature | -25...+70 °C / CIP 121 °C |
| LED-display | Yellow |
| Protective circuit | Built-in |
| Degree of protection IEC 60529 | IP 67* |
| Norm | EN 60947-5-2 |
| Connection | Flange connector M 12 x 1 |
| Housing material | PTFE (FDA 21 CFR 177.1550) |
| Active surface | PTFE (FDA 21 CFR 177.1550) |
| Lid | PA / PPO |
| Accessories (not delivered with the sensor): For varivent adapter, triclamp adapter, welding socket and matching connectors please see our selection of accessories. | |

Capacitive Sensors of the S26 series with hemispherical active surface for level control of products with a dielectric constant ϵ_r from 1,1. Products can be:

- Bulk material, like plastic granules, powder, cereals, etc.
- Liquids, like water, juice, wine, oil, chemicals or pharmaceutical solutions and much more.
- Pastes in the food processing industry, liquid glue, or resins, etc.

All specifications are subject to change without notice. (22.02.2018)

* With sealed potentiometer screw



Made in Germany